



## PERMANENT MAGNET PALLET



SAV 220.32

1

Transverse pole P = 15 mm

### Use:

To clamp medium-size and large parts in grinding, milling and EDM operations. Adaptable to the majority of zero point clamping systems.

### Technical Specifications:

- Aluminium housing, for attachment or installation
- Stops on 3 sides
- 2 Switching positions
- Hexagon key
- Operating instructions
- Finely milled execution

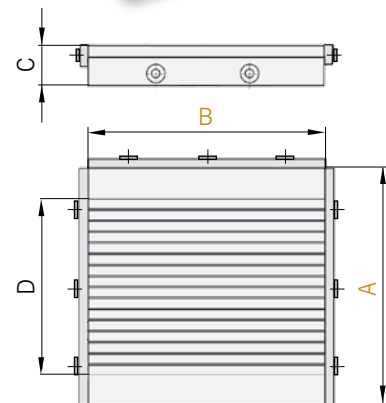
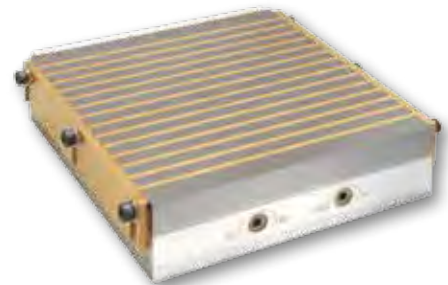
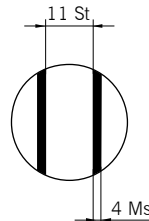
Pole pitch steel/brass: 11 / 4 mm  
 Nominal holding force: 130 N/cm<sup>2</sup>  
 Magnetic field height: 6 mm  
 Pole plate wear limit: 6 mm  
 Re-machining of the bottom face: up to 12 mm  
 Parallelism: 0.03 mm

Dimensions in mm				Weight in kg
A	B	C*	D	
240	240	63,5	200	21,5
280	280	63,5	230	29
320	320	63,5	290	38

\* Exact dimension is determined using the reference system.

### Ordering example:

Permanent Magnet Pallet SAV 220.32 - 320 x 320 - Adaption  
 Ordering key SAV - No. - A x B - Adaption



## PERMANENT MAGNET PALLET



SAV 220.33

Transverse pole pitch P = 19 mm

### Use:

5-face machining operations possible through the use of pole beams.

### Technical Specifications:

- Steel body, for attachment or installation
- Stops on 3 sides
- 2 Switching positions
- Threaded bores on all sides
- Hexagon key and instructions
- Finely milled execution

Pole pitch steel/brass: 15 / 4 mm  
 Nominal holding force: 140 N/cm<sup>2</sup>  
 Magnetic field height: 8 mm  
 Pole plate wear limit: 6 mm  
 Re-machining of the bottom face: up to 4 mm  
 Parallelism: 0.03 mm

Dimensions in mm				Weight in kg
A	B	C*	D	
240	240	63	200	25
280	280	63	240	37
320	320	63	280	50

\* Exact dimension is determined using the reference system.

### Ordering example:

Permanent Magnet Pallet SAV 220.33 - 320 x 320 - Adaption  
 Ordering key SAV - No. - A x B - Adaption

