

Neodymium Magnetic Switchable Block

SAV 242.05

With neodymium-iron-boron magnets, extremely high holding force

Use:

For workpieces that are particularly difficult to clamp, such as ferrotic and hard metals containing cobalt (carbides), as well as very small workpieces.

Features:

Extremely high holding force due to a specially developed construction. Stable all-steel body.

ON-OFF control on end face.

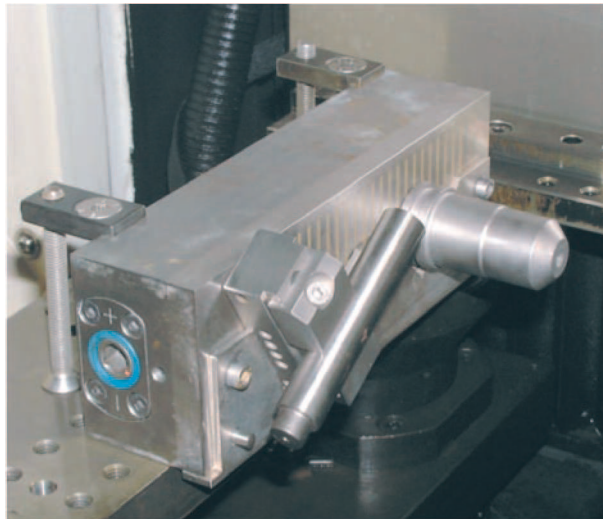
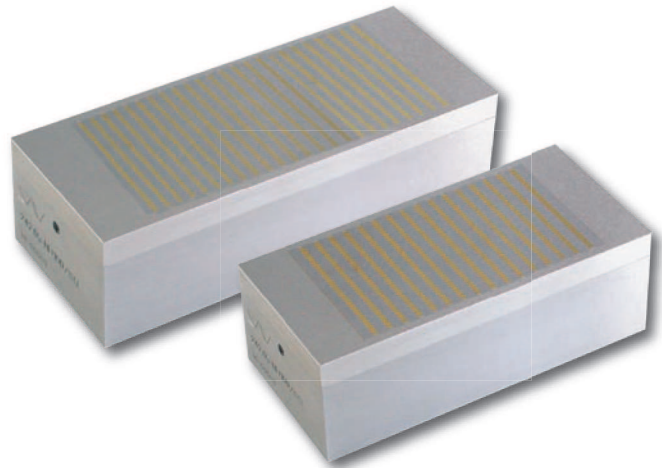
Larger models - with optional power-operated switching mechanism - available on request. Laminations 4 mm steel and 2 mm brass with NdFeB magnets in the pole gaps. For wire EDM use type 242.12 (stainless steel).

Nominal holding force: 180 N/cm²

Magnetic field height: ca. 10 mm

Pole plate wearing limit: 3 mm

Available with adaption for Zero-Reference-System



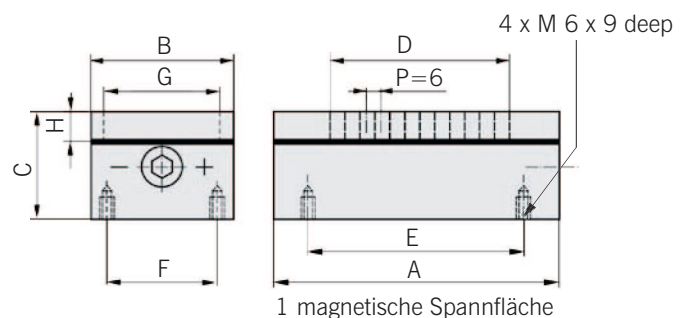
Clamping of multiple parts possible



stability of pole plate ± 0.002 mm

see also SAV 242.12, chapter 8 for EDM

Type	Dimensions in mm								Weight in kg
	A	B	C ^{+0.5}	D	E	F	G	H	
ND 100	140	70	51.0	102	118	35	62	12	3.0
ND 200	200	70	51.0	157	178	36	62	12	4.2



Ordering example: Neodymium Magnetic Switchable Block SAV 242.05 - ND 100
 Ordering key: Name SAV - No. - Type