

Permanent Magnetic Switchable Block

SAV 242.11

With 4 magnetic clamping surfaces, also in stainless execution

Use:

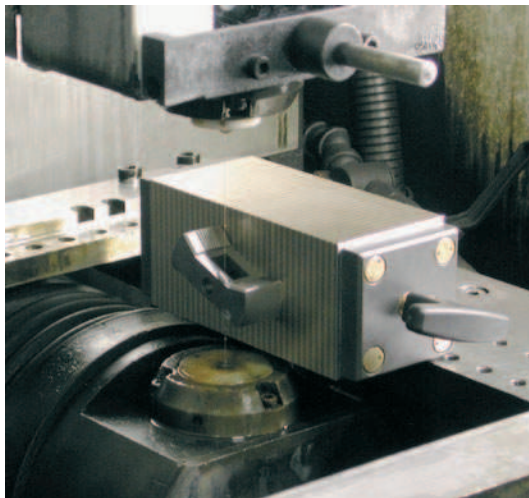
Angular and parallel grinding of small and medium-sized workpieces.

Features:

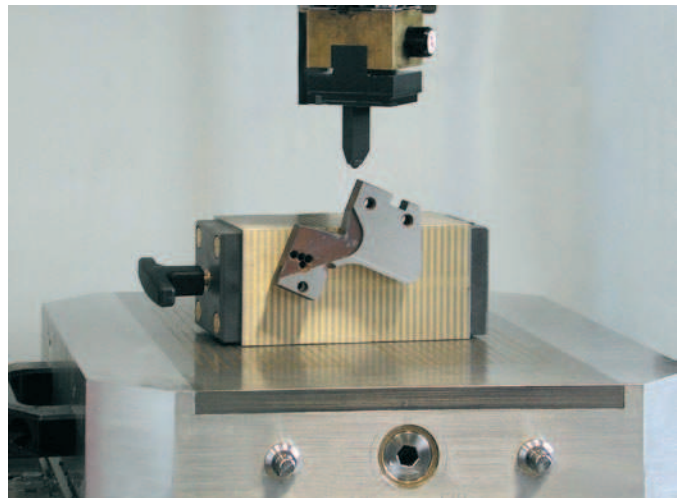
Robust construction with good holding force.
Laminations 2 mm brass / 2 mm steel.

Nominal holding force standard: 50 N/cm²
Nominal holding force stainless: 30 N/cm²
Magnetic field height: 2 mm
Pole plate wearing limit: 4 mm

Can be supplied with stainless, high-alloyed chrome steel pole plates (RF). Best suited for use on wire erosion machines.

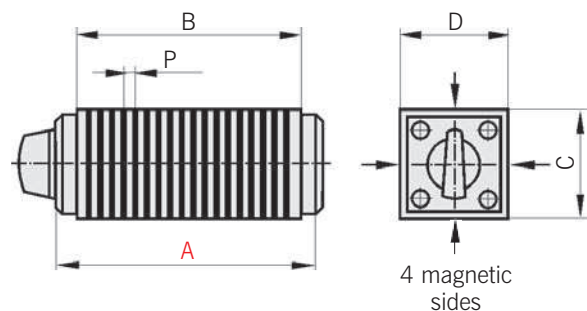


Application with wire-erosion



Application at spark-erosion

Dimensions in mm					Weight in kg
A	B	C	D	P	
140	115	64	64	2 + 2	3.1
160	135	64	64	2 + 2	4.0



Ordering example: Permanent Magnetic Switchable Block SAV 242.11 - 140 - RF
Ordering key: Name SAV - No. - A - Execution