

Neodymium Magnetic Block

SAV 242.12

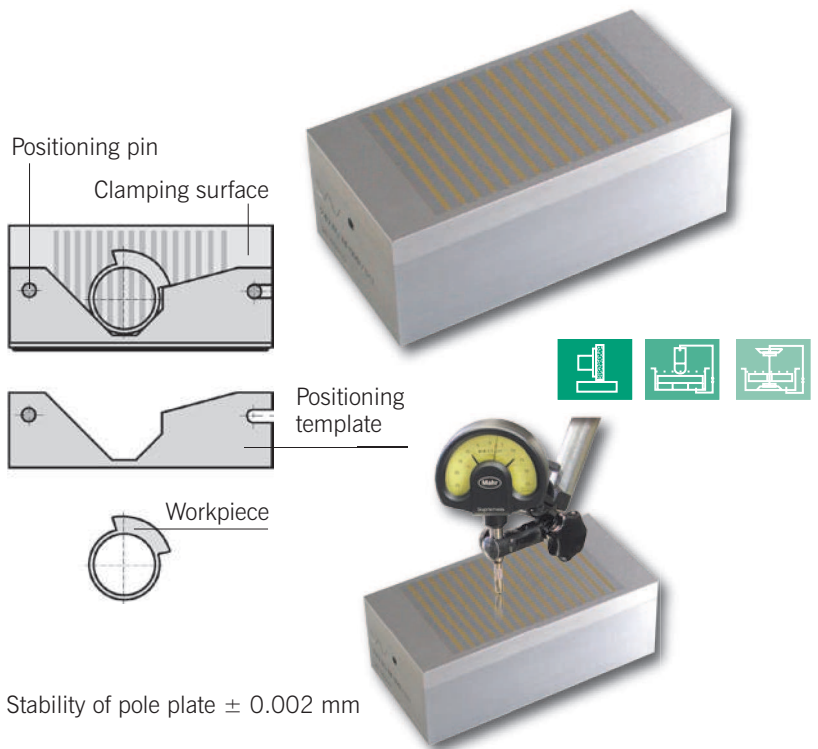
With extreme high holding force

Material:

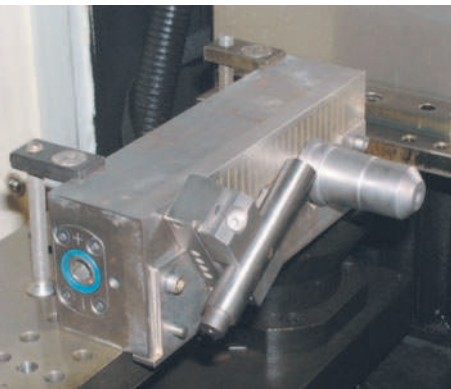
Steel base with St 37 / Brass pole plate

Technical Specifications:

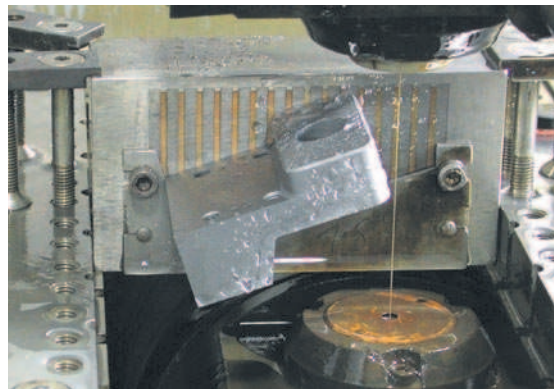
- High pole plate stability ± 0.002 mm
- For difficult and small workpieces with complex eroding outline
- Bigger sizes available on request
- Holding force: 140 N/cm²
- Magnetic field height: approx. 10 mm
- Pole plate wearing limit: 3 mm
- Magnetic Block with (A) or without (N) adapter plate for Reference system*
- On request including Positioning Template (JS) on the clamping surface for quick and accurate workpiece positioning
- Suitable for connecting Precision Sine Guidance (S)
- Mounting of Positioning Template and Precision Sine Guidance using positioning pins with a repeatability of ± 0.003 mm
- On request the pole plate can be executed with a Z - 0 end stop (Z)
- Clamping of more than 1 workpiece is possible



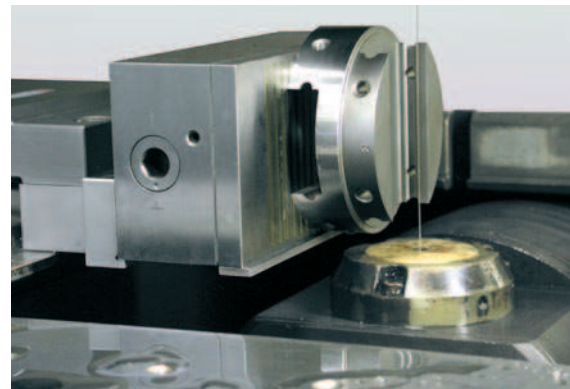
Stability of pole plate ± 0.002 mm



Execution:
Neodymium Magnetic Block
SAV 242.12-ND 200-JS



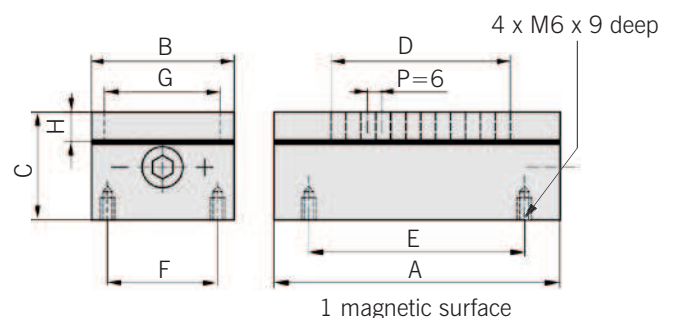
Execution:
Neodymium Magnetic Block
SAV 242.12-ND 100-JS



Execution:
Neodymium Magnetic Block
SAV 242.12-ND 100-Z

* Please specify reference system and robot adaption; we can advice!

System	Dimensions (mm)							Weight (kg)
	A	B	C	D	E	F	G	
ND 100	140	70	51	102	118	35	62	3.4
ND 200	200	70	51	157	178	36	62	4.2



Ordering example: Neodymium Magnetic Block SAV 242.12 - ND - 200 - A - JS - Z
 Ordering key: Name SAV - No. - ND - Size - A - JS - Z