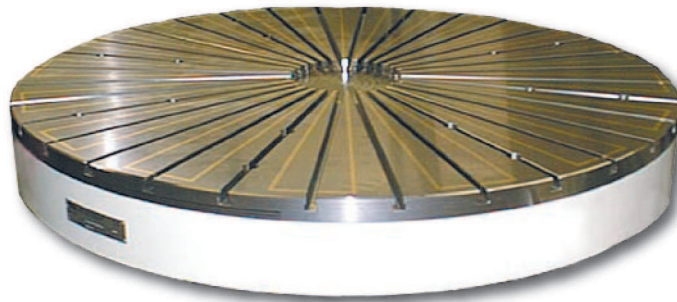


Electro Magnetic Circular Chuck

SAV 244.40

With radial pole arrangement

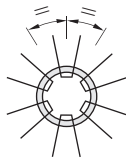
These circular electro magnets are notable for their very high holding force. Radial T-slots can be provided in the pole plates for added flexibility.



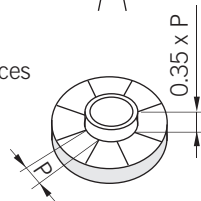
Use:

Grinding of circular and ring-shaped workpieces on carrousel internal and external grinding machines. Also suitable for turning with form and position tolerances of 0.01 to 0.02 mm.

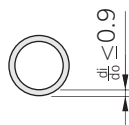
- equal pole pitch within circle range; therefore very suitable for circular and ring shaped workpieces



- for ring-shaped workpieces the minimum height is 35% of the pole pitch at the given circle segment



- also for thin rings



Nominal holding force:

120 N/cm²,
adjustable by control unit with encoded switch

Nominal operating voltage:

24 V DC up to 90 W
110 V DC all sizes

Features:

- solid designed pole plate
- radial pole arrangement, especially suitable for the use of pole raisers. This is absolutely essential for the runout of the tool or the grinding wheel at three side operation. Therefore available with T-slots (T) according DIN 650-10H10 on request.
- pole plate wearing limit 8 mm
- sealed to IP 65
- suitable for continuous (100%) operation
- for use with control unit type 876.10 (see chapter 04)
- available with adapter flange on request (SAV 248.90 to 248.94, see chapter 01)

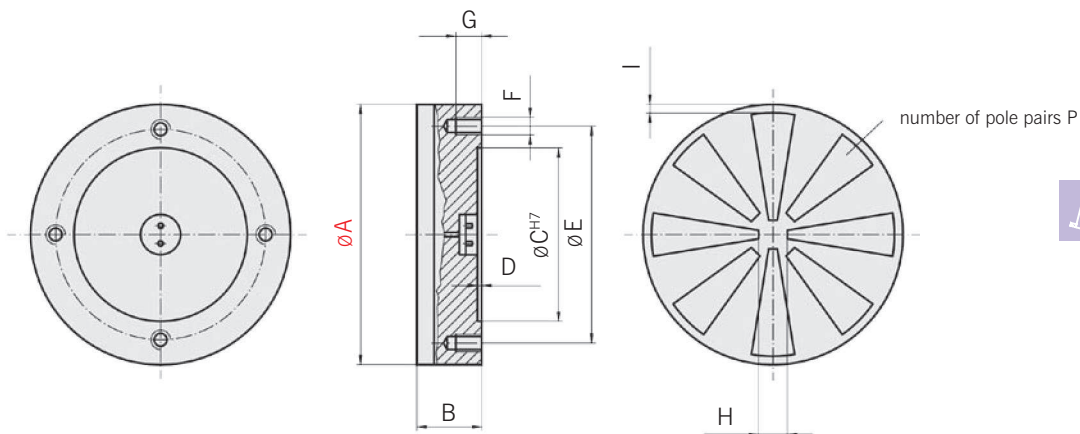
Scope of supply:

- Lifting bolts for transportation on larger models.
- T-slots and pole extensions not included as standard.
- Terminals for electrical connection in middle of back side in standard execution.
- Optional with integrated slip ring body for the bigger diameters.

Electro Magnetic Circular Chuck

SAV 244.40

With radial pole arrangement



Dimensions in mm										Power in W	Weight in kg	
A	B*	C	D	E	F	G	H	I	P			
100	80	60	3	80	M8 (3x)	12	30	10	3	16	4	
150	80	90	3	120	M10 (3x)	14	30	10	3	30	9	
200	90	110	3	140	M10 (4x)	14	40	10	4	48	18	
250	90	140	3	170	M12 (4x)	16	50	10	4	66	29	
300	90	160	3	190	M12 (4x)	16	60	10	6	90	42	
400	90	210	4	250	M12 (6x)	16	70	15	6	150	76	
500	90	280	4	320	M12 (6x)	16	100	15	8	190	120	
600	100	350	4	390	M16 (6x)	18	100	15	8	265	195	
700	100	400	4	450	M16 (6x)	18	120	15	8	350	265	
800	100	450	4	500	M16 (6x)	18	150	18	12	440	365	
1000	100	550	4	620	M16 (8x)	18	200	18	12	660	550	
1200	125	Rear detail as required						300	25	18	960	990
1400	125	Rear detail as required						300	25	18	1100	1350
1500	125	Rear detail as required						300	25	18	1440	1550
1600	125	Rear detail as required						300	25	18	1630	1760

Other sizes up to diameter A = 3100 mm available on request. Please refer to SAV 876.03 to SAV 876.10 (see chapter 04), for details regarding suitable control units, based on the power rating. Bigger sizes can be constructed out of several segments.

*in execution with T-slots the height increases with 10 mm

Ordering example: **Electro Magnetic Circular Chuck SAV 244.40 - 800 - T - 110 V**

Ordering key: Name SAV - No. - A - Execution - Operating voltage