

# ELECTRO MAGNETIC CIRCULAR CHUCKS

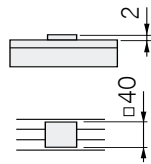


SAV 244.43

With parallel pole pitch  $P=4$  mm

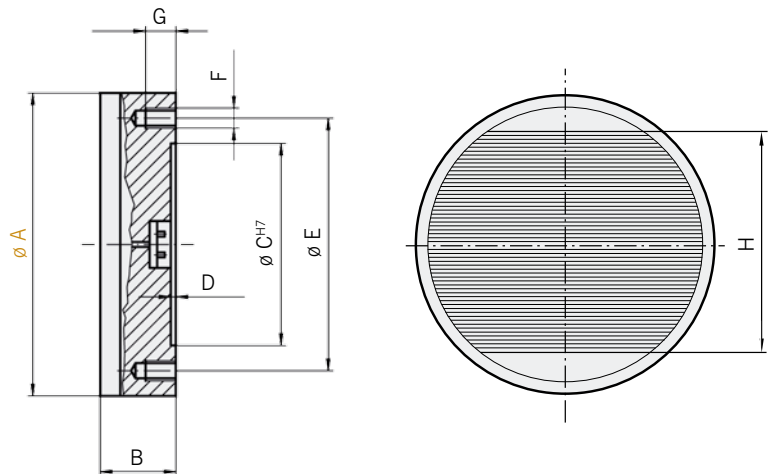
**Use:**

- Grinding of thin plates and thin, broad rings with a min. width of 40 mm
- For workpieces of 2 mm and above
- For flat workpieces with a min. surface area of 40 x 40 mm<sup>2</sup>



**Features:**

- Pole plate especially fine, uninterrupted pole pitch, 3 mm steel and 1 mm brass
- Low build height
- Glued laminations reinforced with additional pull anchors
- High precision due to fine grid pole plate to body connection
- Low field height of 4 mm
- De-activation via the demagnetizing cycle
- Fixing hole template for tapped holes on the rear or through holes upon agreement
- 8 mm pole plate wear limit
- Robust and waterproof
- Protection classification IP 65
- Suitable for use with control unit SAV 876.10



**Nominal operating voltage:**

110 V DC

**Nominal holding force:**

100 N/cm<sup>2</sup>,

Adjustable using the holding force coding switch on the control unit

**Auxiliary equipment:**

- Lifting bolts for transportation on larger models.
- In the standard format the electrical connector is on the rear side, centred with clamps.
- Controller and hand-held control unit not included in delivery.

Dimensions in mm								Power rating in W	Weight in kg	Type of control
A	B	C	D	E	F	G	H			
300	100	160	4	190	M12 (4x)	16	213	110	55	E 4
400	100	210	4	250	M12 (6x)	16	301	180	98	E 4
500	100	280	4	320	M12 (6x)	16	401	230	153	E 4
600	100	350	4	390	M12 (6x)	18	481	410	220	E 4
700	100	400	4	450	M12 (6x)	18	581	430	300	E 4
800	100	450	4	500	M16 (6x)	18	681	540	392	E 4

**Ordering example:**

Electro magnetic circular chuck SAV 244.43 - 300 - 110 V  
Ordering key SAV - No. - A - Voltage

**Ordering example control unit:**

Electr.polarity-reversing control unit SAV 876.10 - S-0-110/6/230  
Hand-held control unit SAV 876.02 - SE3  
Ordering key SAV - No.

**Recommended controller and control unit:**

Type	Control unit	Hand-held control unit
E 4	SAV 876.10-S-0-110/6/230	SAV 876.02-SE3

For built-in control unit see page 48.