

## Precision Sine Table

SAV 245.02

Swivel on longitudinal and transverse axis, with fine pole chuck

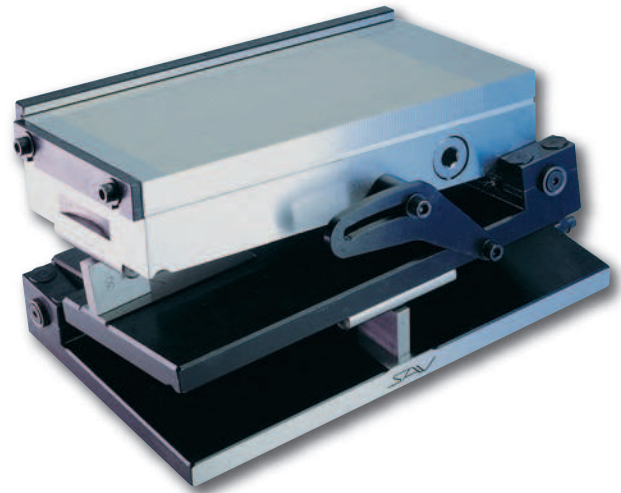
### Design:

Swivel on the longitudinal and transverse axis. The base plate of the sine table is made of hardened steel (HRC 60), black-finished and precision ground.

High accuracy due to extreme flat type construction.

Standard execution with permanent magnetic chuck. The sine tables are supplied in wooden storage cases with 2 sine charts degrees / minutes in mm, precision long side stop and short side stop.

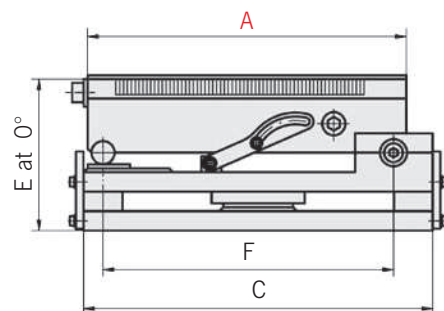
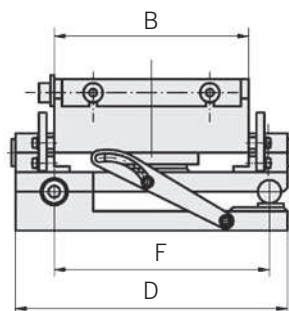
Angle precision:	± 5 sec.
Planar parallelism:	± 0.005 / 100 mm
Shimming measure at 0°:	3 mm
Angle range longitudinal axis:	0° to 45°
Angle range transversal axis:	0° to 30°
Nominal holding force:	80 N/cm <sup>2</sup>
Pole pitch:	1.9 mm
Magnetic field height:	6 mm
Pole plate wearing limit:	8 mm



### Application:

The angle is set according the sine principle, using an end-gauge.

Fixation is achieved by side mounted pincers and by tightening the upper bearing clamps.



Dimensions in mm						Weight in kg
A	B	C	D	E $\frac{0}{2}$	F	
175	100	210	140	108	160 / 115	15.0
255	130	290	170	119	240 / 145	32.0
300	150	335	190	121	285 / 160	43.5
350	150	385	190	121	335 / 160	49.5
400	200	435	240	117	385 / 210	73.0

Execution with flushing holes available against price adder.

Other dimensions and executions – also with electro magnetic or other magnetic system – and all sizes of permanent magnetic chucks SAV 243.01 are available as sine table.

Ordering example: Precision Sine Table SAV 245.02 - 400  
 Ordering key: Name SAV - No. - A