

Precision sine table with enhanced holding force

SAV 245.07

Swivel on longitudinal axis

Design

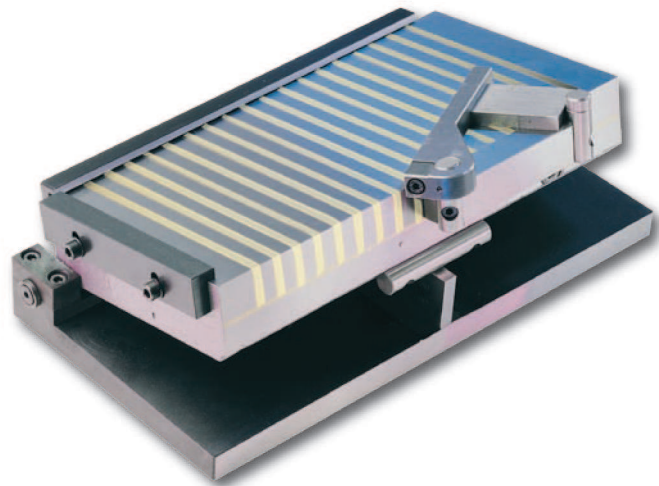
Swivel over middle axis. Sine table base plate and other parts made from tool steel. Hardened to HRC 60, black finished and precision ground. Highest accuracy at extreme flat construction. Standard execution with permanent magnetic chuck 243.11.

Delivery with attached sine bar (SL) for angle setting in pole plate plane possible against price adder (SAV 487.40).

Delivery in wooden storage case up to dimension 350 x 150 mm.

With sine table in of degrees / minutes in mm, precision long side stop and transverse side stop.

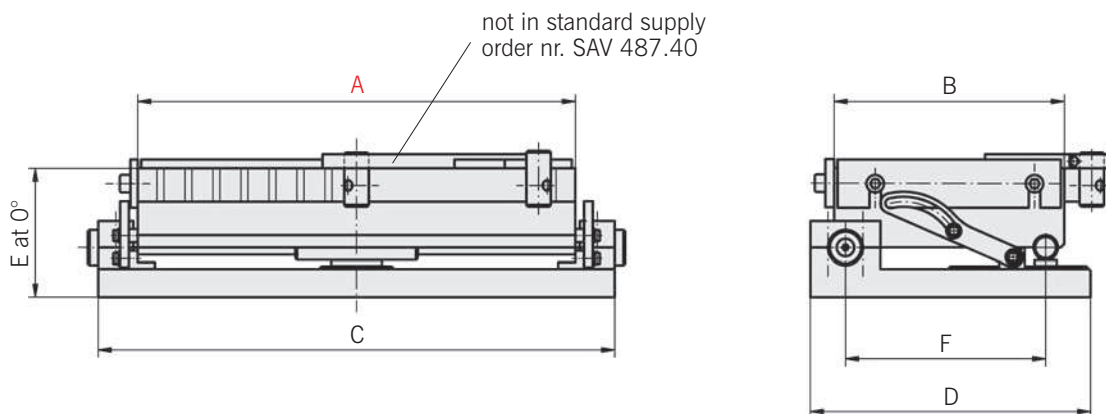
Angle precision:	± 5 sec.
Planar parallelism:	± 0.005 / 100 mm
End gauge in 0°	3 mm
Angle range:	0° to 45°
Nom. holding force:	150 N/cm ²
Pole pitch:	15 mm
Pole plate wearing limit:	5 mm



Application

Setting of angles according the sine principle, using an end-gauge.

Fixation is achieved by side mounted pincers and by tightening the upper bearing clamps.



Dimensions in mm						Weight in kg
A	B	C	D	E ₂	F	
250	150	290	165	84	135	20.5
300	150	340	165	84	135	27.0
350	150	390	165	84	135	36.0
400	200	440	215	84	185	52.0

Other dimensions and executions on request. Also available with electro-magnet or other magnetic systems.

All standard sizes of permanent magnetic chuck SAV 243.11 (chapter 1) are available as sine table.

Ordering example: High precision sine table SAV 245.07 - 400
 Ordering key: Name SAV No. - A