

Permanent Magnetic Circular Chuck

SAV 244.02

With parallel pole arrangement, enhanced magnetic system

Use:

Sizes A = 200 to 500 mm for turning and grinding, sizes 100 to 160 for grinding.

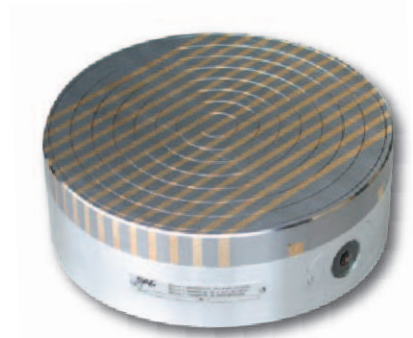
Features:

Exceptional strong magnetic field. Concentric grooves simplify the centring of the workpiece. A centre drilling of up to diameter E is permissible, depth of drilling must not exceed 8 mm for A = 100 to 200 mm and 15 mm for A = 250 to 500 mm. Also available with flange (SAV 248.90 to 248.94, see Page 14/15). For additional top plates see 248.01.

Nominal holding force:
140 N/cm²
(A= 200 to 500 mm)
70 N/cm²
(A= 100 to 160 mm)

Magnetic field height:
10 mm

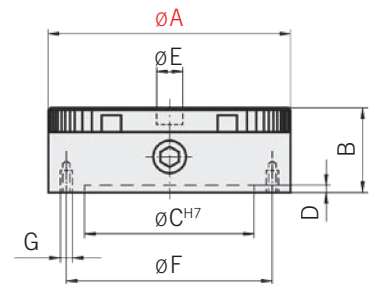
Pole plate wearing limit:
8 mm



A	Dimensions in mm						Pole pitch steel / brass	Switching positions	Weight in kg
	B±0.5	C	D	E	F	G			
100	62	70	2.5	-	91	3 x M5	4/1.5 2/1.5	1	3.0
130	62	90	2.5	-	120	4 x M6	4/1.5 2/1.5	1	5.0
160	75	125	3.0	-	142	4 x M8	6/5	1	8.0
200	80	150	4.5	-	182	4 x M8	8/5	1	13.0
250	80	200	4.5	20	232	4 x M8	8/5	1	20.0
300	85	250	4.5	20	285	4 x M8	8/5	1	29.0
350	85	300	4.5	20	334	4 x M8	8/5	1	40.0
400	100	300	5.0	20	350	6 x M10	8/5	1	59.0
450	100	350	5.0	20	400	6 x M10	8/5	2	70.0
500	100	400	5.0	20	450	6 x M10	8/5	2	90.0

Ordering example: Permanent Magnetic Circular Chuck SAV 244.02 - 500

Ordering key: Name SAV - No. - A



Laminated Circular Top Plate

SAV 248.01

For use on circular chucks with parallel pole arrangement

Use:

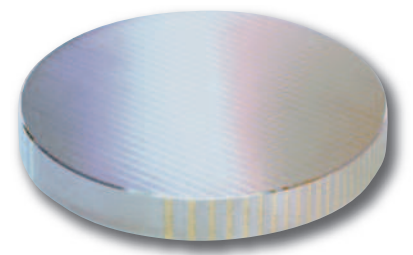
Clamping of profiled workpieces on circular chucks with parallel pole arrangement. Only usable in conjunction with circular magnetic chuck SAV 244.02 and 244.05.

Features:

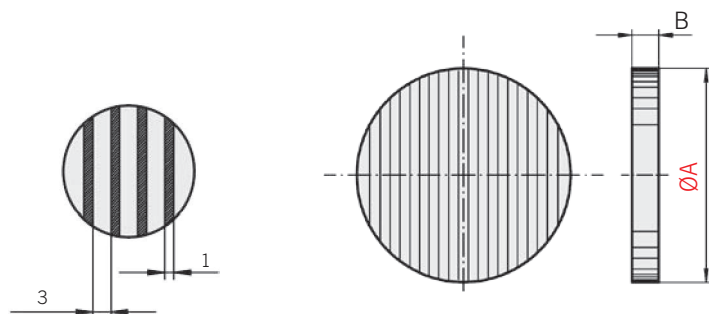
Silver brazed steel/brass construction. Can be machined to any required shape, or custom machined during manufacture. Connection to magnet to be agreed upon.

Lamination must be parallel to magnetic chuck.

Pole pitch: steel 3 mm, brass 1 mm



Dimensions in mm		Weight in kg
A	B	
155	25	4.0
200	25	6.0
250	25	10.0
300	25	14.0
350	25	19.0
400	30	30.0
450	30	37.5
500	30	46.0



Ordering example: Laminated Circular Top Plate SAV 248.01 - 500

Ordering key: Name SAV - No. - A