

Short Taper Adapter with camlock fixing

SAV 248.92

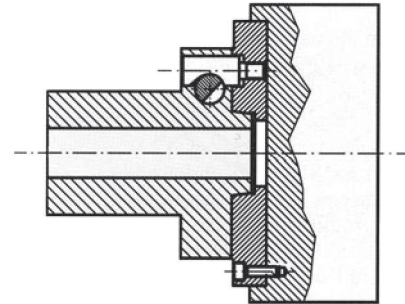
To fit circular magnetic chucks in accordance with DIN 6353

Use:

Mounting of circular magnetic chucks or other clamping tools to short taper spindle noses of type DIN 55029, ISO 702/II and ASA b5.9 D1.

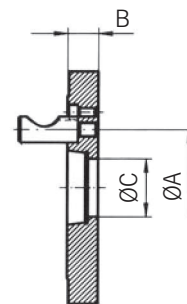
Features:

Mild steel adapter in accordance with DIN, ISO and ASA-standards. Fully prepared on spindle-side. Preparations for chuck side carried out in accordance with customer's requirements (please supply suitable drawing). Circular chucks can be supplied ready fitted with adapter.



Spindle nose size	Dimensions in mm			Number of studs
	A	B	C	
3	70.6	28	45	3
4	82.6	28	45	3
5	104.8	30	60	6
6	133.4	35	80	6
8	171.4	40	90	6
11	235.0	45	120	6
15	330.2	50	120	6

Sizes B, C, and D as well as mounting holes pitch circle according requirements or customer specification.



Ordering example: Short Taper Adapter with camlock fixing SAV 248.92 - 15
 Ordering key: Name SAV - No. - Spindle nose size

Morse Taper Adapter

SAV 248.94

To fit circular magnetic chucks to morse taper sockets

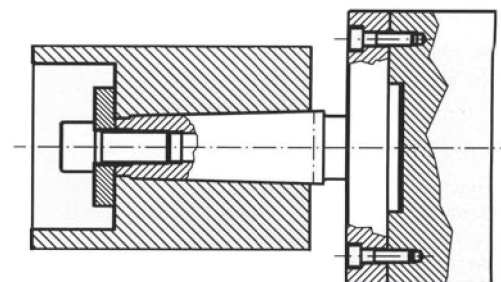
Use:

Mounting of circular magnetic chucks or other clamping tools to morse taper sockets of type DIN 228

Features:

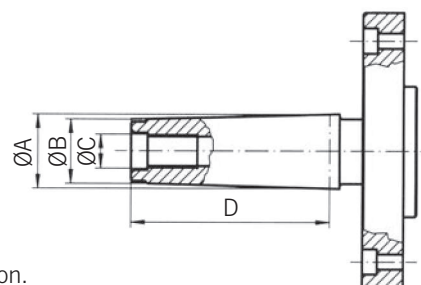
Mild steel adapter in accordance with DIN. Fully prepared on spindle-side. Preparations for chuck side carried out in accordance with customer's requirements (please supply suitable drawing). Circular chucks can be supplied ready fitted with adapter.

Hardened and ground version made from case hardening steel available on request.



Taper size	Dimensions in mm			
	A	B	C	D
MK 0	9.045	6.4	—	50.0
MK 1	12.065	9.4	M 6	53.5
MK 2	17.780	14.6	M 10	64.0
MK 3	23.825	19.8	M 12	81.0
MK 4	31.267	25.9	M 16	102.5
MK 5	44.399	37.6	M 20	129.5
MK 6	63.348	53.9	M 24	182.0

Sizes according requirements or customer application.



Ordering example: Morse Taper Adapter SAV 248.94 - MK 6
 Ordering key: Name SAV - No. - Morse taper size