

Dial Gauge

SAV 482.92

For use with magnetic stand; with shock protection

Use:

High precision measuring device for height and runout measurements.

Features:

Shock protected, operationally robust dial gauge with 1 indicator revolution = 0.1 mm. The 100 line scale permits easier reading.



Dimensions in mm			No. of scale lines
Dial diameter	Scale resolution	Measuring range	
58	0.001	5	100

Ordering example: **Dial Gauge SAV 482.92**
 Ordering key: Name SAV - No.



Magnetic Capturing Rod

SAV 512.03

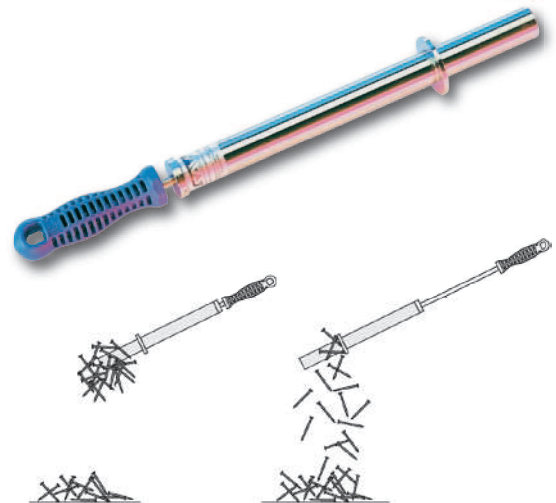
For sorting steel parts

Use:

Permanent magnetic capturing rod with NdFeB as magnetic material for capturing steel parts. The captured parts can easily be loosened by pulling back the grip.

Design:

Stable brass tube design, brightly nickelized. Maximum operating temperature: 100°C



Dimensions in mm				Weight in kg
Tube diameter	Centre flange diameter	Overall length	Effective magnetic length	
28	47	440	90	0.75

Ordering example: **Magnetic Capturing Rod SAV 512.03**
 Ordering key: Name SAV - No.

Hand Plate Lifter – with belt

SAV 532.11

For separating sheets

Use:

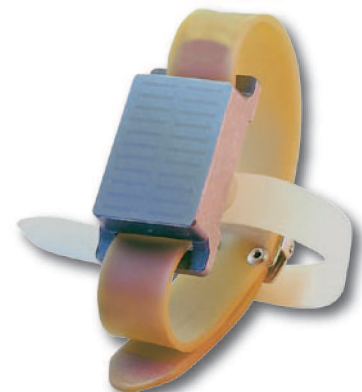
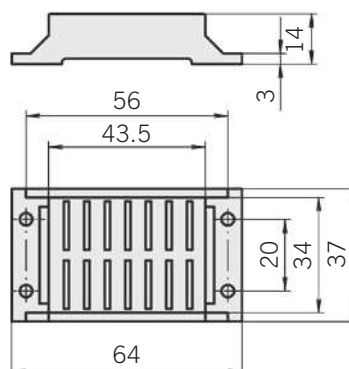
For depiling and lifting of sheets up to 2mm thickness. For carrying on the right or left inner flat of the hand. Can also be put on the outer flat of the hand for holding of screws or similar small parts.

Design:

The permanent magnetic system, which is kept in a stable pressure casing, guarantees high holding forces. Spare belts are available on request.

*measured at vertical pull-off

Dimensions in mm			Nom. Holding force in daN*	Weight in kg
Length	Width	Height		
64	37	14	20	0.1



Ordering example: **Hand Plate Lifter with belt SAV 532.11**
 Ordering key: Name SAV - No.