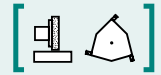


SAV 244.10

PERMANENT MAGNETIC CIRCULAR CHUCKS

Controllable



APPLICATION

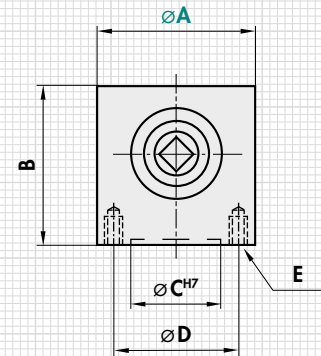
For manual collet chucks as an auxiliary magnet for chucking small, delicate workpieces. Also suitable for fixtures and as a holding magnet.

DESIGN

Controllable permanent magnet, chucking areas at the top.



A	B ^{+0.5} / ₋₂	C	D	E	Rated force	Max. speed	Weight
50	50	25	35	4 x M5	85	450	0.7
80	65	50	60	4 x M6	500	400	2.2



ORDERING EXAMPLE

Designation	SAV no. - A
Permanent magnetic circular chuck	SAV 244.10 - 80