

**SAV 245.04**

**PRECISION SINE TABLES**

Swivelling around longitudinal axis, low design



**DESIGN**

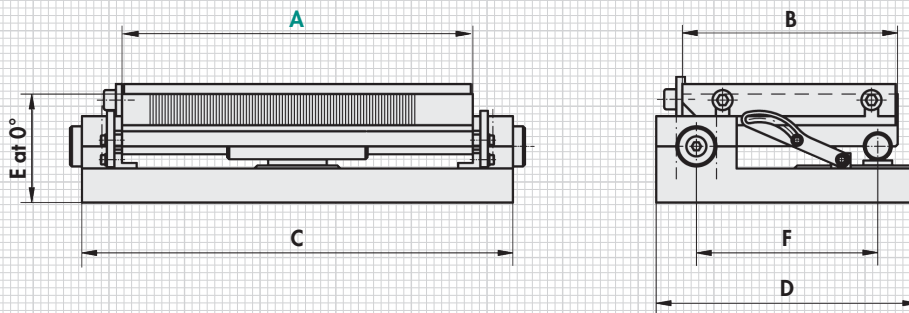
With sine table base unit made of steel. Hardened, burnished and precision-ground. Maximum precision with extremely flat design. Standard design with permanent magnetic chuck, switching on/off from above. Delivered in a wooden storage box. With sine table with degrees/minutes in mm, precision length stop and transverse stop bar.

**APPLICATION**

The angles are determined using the gauge blocks using the sinusoidal principle. Clamping is achieved with the upper bearing shell halves.

**TECHNICAL DATA**

- Angle accuracy:  $\pm 5$  arc sec
- Plane parallelism:  $\pm 0.005/100$  mm
- Gauge block at  $0^\circ$ : 3 mm
- Swivelling range:  $0^\circ$  to  $45^\circ$
- Rated holding force:  $80 \text{ N/cm}^2$
- Pole pitch: 1.9 mm
- Magnetic field height: 6 mm
- Wear layer of the pole plate: 6 mm



| mm  |     |     |     |         |     | kg     |
|-----|-----|-----|-----|---------|-----|--------|
| A   | B   | C   | D   | $E_2^0$ | F   | Weight |
| 175 | 100 | 215 | 115 | 67      | 85  | 8.5    |
| 150 | 150 | 190 | 165 | 69      | 135 | 10.0   |
| 255 | 130 | 295 | 145 | 67      | 115 | 14.0   |
| 300 | 150 | 340 | 165 | 69      | 135 | 20.0   |
| 350 | 150 | 390 | 165 | 69      | 135 | 26.5   |
| 400 | 200 | 440 | 215 | 69      | 185 | 41.0   |
| 450 | 150 | 490 | 165 | 69      | 135 | 33.5   |

Design with flushing holes available (surcharge applies).

**ORDERING EXAMPLE**

|                      |                  |
|----------------------|------------------|
| Designation          | SAV no. - A      |
| Precision sine table | SAV 245.04 - 450 |