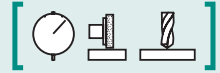


SAV 245.07**PRECISION SINE TABLES** with amplified holding force
Swivelling around the longitudinal axis**DESIGN**

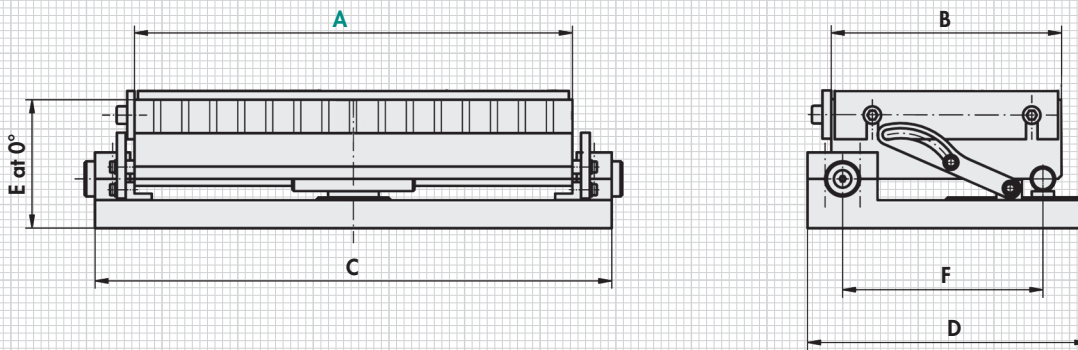
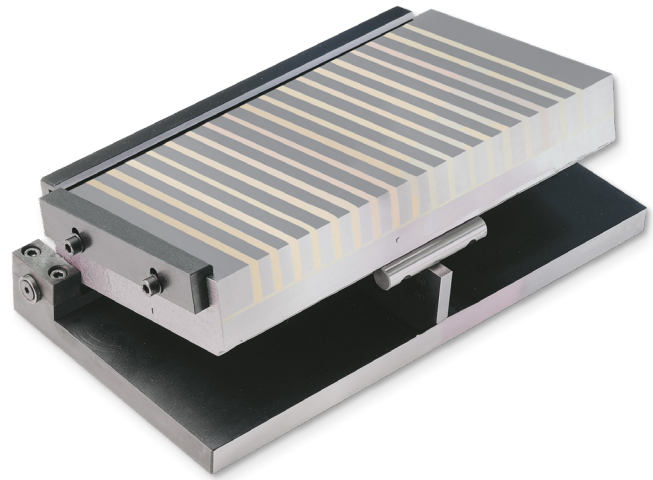
With sine table base unit made of steel. Hardened, burnished and precision-ground. Maximum precision with flat design. Standard design with permanent magnetic chuck SAV 243.11. Delivered in a wooden storage box. With sine table with degrees/minutes in mm, precision length stop and transverse stop bar.

APPLICATION

The angles are determined using the gauge blocks using the sinusoidal principle. Clamping is achieved with a fastening brace at the side and the upper bearing shells.

TECHNICAL DATA

- Angle accuracy: ± 5 arc sec
- Plane parallelism: $\pm 0.005/100$ mm
- Gauge block at 0° : 3 mm
- Swivelling range: 0° to 45°
- Rated holding force: 150 N/cm²
- Pole pitch: 15 mm
- Magnetic field height: 12 mm
- Wear layer of the pole plate: 5 mm



mm						kg
A	B	C	D	E_2^0	F	Weight
250	150	290	165	88	135	20.5
300	150	340	165	90	135	27.0
350	150	390	165	90	135	36.0
400	200	440	215	93	185	52.0

Other designs and dimensions on request.

Also available with electro permanent magnet or other magnet systems.

All standard sized of the permanent magnetic chucks SAV 243.11 (chapter 1.2.1) are available as a sine table.

ORDERING EXAMPLE

Designation SAV no. - A
Precision sine table SAV 245.07 - 400