

SAV 243.71**ELECTRO PERMANENT MAGNETIC CHUCKS**With continuous fine longitudinal pole pitch $P = 4 \text{ mm}$ 

Electro permanent magnetic systems with very narrow pole pitch. The magnetic force is generated by the permanent magnets which are magnetised and demagnetised with short current pulses. Especially suitable for thin parts. Main work-piece axis at right angle to the magnet length.

**DESIGN**

- Pole plate with particularly narrow, continuous longitudinal pole pitch, 3 mm steel and 1 mm brass
- Pole divisions bonded and additionally bolted together solidly with tie rods
- High accuracy thanks to pole plates bolted in a narrow grid
- Switch-off using demagnetising cycle
- 8 mm wear layer on the pole plate
- Low magnetic field height of 4 mm
- Electro permanent magnetic system for absolute safety in case of power failure
- Chucking slots on both face sides
- Reinforced systems for high wear possible on request
- Length over 1000 mm with through holes for fastening upon agreement
- Robust and water-tight
- Protection rating IP 65

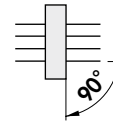
RATED HOLDING FORCE100 N/cm²,

Controllable with control unit

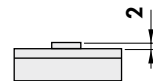
RATED VOLTAGE, RECOMMENDED**210 V IMP** up to size A x B = 600 x 250**360 V IMP** above size A x B = 600 x 250**APPLICATION**

For chucking thin, flat workpieces with high precision.

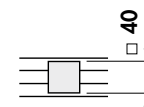
- For main workpiece axis perpendicular to the pole pitch



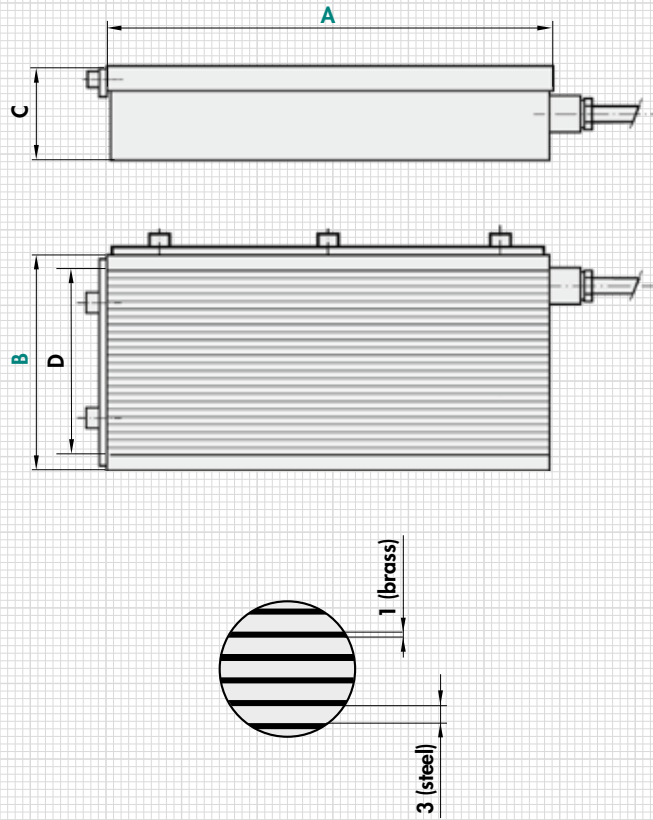
- For thin workpieces up to:
min. thickness = 2 mm



- For flat workpieces:
min. width = 40 mm

**SCOPE OF DELIVERY**

- Stop bar on one short and one long side
- 3 m connecting cable on right short side, rear
- On request with water-tight heavy-duty power connector
- Larger magnetic chucks are provided with lifting lugs for transport
- Control and hand remote unit not in the scope of delivery
- Clamps



mm				kg	V	A
A	B	C ⁰ ₋₁	D	Weight	Rated voltage	Control max. pul. Current
200	100	77	53	12.0	210	30
300	100	77	53	18.0	210	30
300	150	77	101	26.0	210	30
400	150	77	101	34.0	210	30
450	175	77	125	44.0	210/360	30
400	200	77	149	45.0	210/360	30
500	200	77	149	56.0	210/360	30
600	200	77	149	67.0	210/360	30
800	200	77	149	90.0	210/360	30
500	250	77	201	70.0	210/360	30
600	250	77	201	84.0	210/360	30
800	250	77	201	112.0	360	30

mm				kg	V	A
A	B	C ⁰ ₋₁	D	Weight	Rated voltage	Control max. pul. Current
500	300	77	245	86.0	360	30
600	300	77	245	103.0	360	30
800	300	77	245	137.0	360	60
1000	300	77	245	172.0	360	60
600	350	77	293	120.0	360	30
800	350	77	293	160.0	360	60
1000	350	77	293	200.0	360	60
600	400	77	349	137.0	360	30
700	400	77	349	160.0	360	30
800	400	77	349	183.0	360	60
1000	400	77	349	229.0	360	60
1200	400	87	349	275.0	360	60
800	500	77	453	229.0	360	60
1000	500	77	453	286.0	360	60
800	500	87	453	344.0	360	60

Other sizes and rated voltages on request. Larger chucking areas can be implemented by joining several blocks without gaps. Allocation to the correct control unit is based on the max. power consumption/magnet voltage.

ORDERING EXAMPLE

Designation SAV no. - A x B - rated voltage
 Electro permanent magnetic chuck SAV 243.71 - 1200 x 400 - 360 V