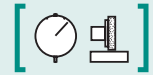


SAV 245.09

PRECISION SINE TABLES

Swivelling around longitudinal axis, for the highest requirements



DESIGN

With sine table base unit made of steel. Hardened, burnished and precision-ground. Magnet housing annealed without stress.

Maximum precision with flat design.

4-point contact for optimum precision.

Delivered with a lifting aid, rod and sine table with degrees/minutes in mm.

Precision longitudinal stop with transverse stop bar, 3 m connecting cable, painted magnet housing.

Available alternatively with electrical chucks and integrated water cooling for **P = 13 (EM)** or electro-permanent magnetic chucks for **P = 4 (EP)**.

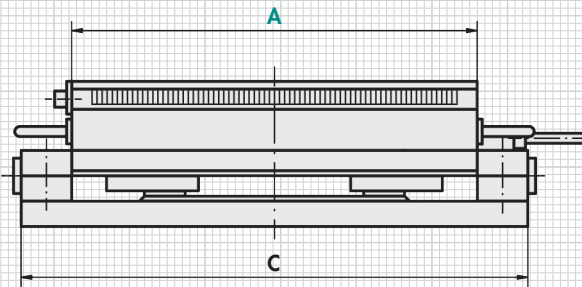
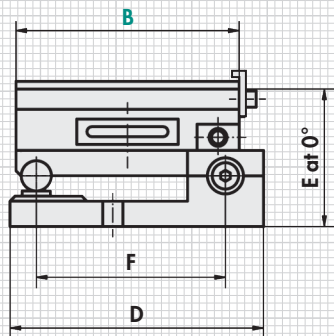


APPLICATION

The angles are determined using the gauge blocks using the sinusoidal principle.

TECHNICAL DATA

- Angle accuracy: ± 5 arc sec
- Plane parallelism: $\pm 0.005/100$ mm
- Gauge block at 0° : 0/5 mm
- Swivelling range: 0° to 45°
- Rated holding force: 100 N/cm²
- Pole pitch:
 - 4 mm for EP magnet as per SAV 243.73
 - 13 mm for EM magnet as per SAV 243.42
- Magnet voltage:
 - 210 V for EP
 - 24 V or 110 V for EM



With electro-permanent magnet **P = 4 (EP)**

mm						kg	A
A	B	C	D	E_2^0	F	Weight	Magnet current
450	175	448	203	125.5	175	55.0	30
500	175	498	203	125.5	175	61.0	30
500	200	498	228	125.5	200	70.0	30

With electromagnet **P = 13 (EM)**

mm						kg	Type
A	B	C	D	E_2^0	F	Weight	Control
450	175	448	203	125.5	175	55.0	E4
500	175	498	203	125.5	175	61.0	E4
500	200	498	228	125.5	200	70.0	E4

Other designs and dimensions on request.
Also available with other magnet systems.

ORDERING EXAMPLE

Designation SAV no. - A x B - pole pitch - version - magnet voltage
Precision sine table SAV 245.09 - 500 x 200 - 4 - EP - 210 V