

**SAV 244.43**

**ELECTRO MAGNETIC CIRCULAR CHUCKS**

With parallel pole pitch  $P = 4$  mm



Round magnet with fine pole pitch for thin workpieces.  
Centre magnetically active.

**DESIGN**

- Pole plate with particularly narrow, continuous pole pitch, 3 mm steel and 1 mm brass
- Low height
- Pole divisions bonded and reinforced with tie rods
- High accuracy thanks to pole plates bolted in a narrow grid
- Low field height of 4 mm
- Switch-off using demagnetising cycle
- Fastening hole pattern with threads at the rear or through holes upon agreement
- 8 mm wear layer on the pole plate
- Robust and water-tight
- Protection rating IP 65
- Suitable for connecting to the SAV 876.10 control unit

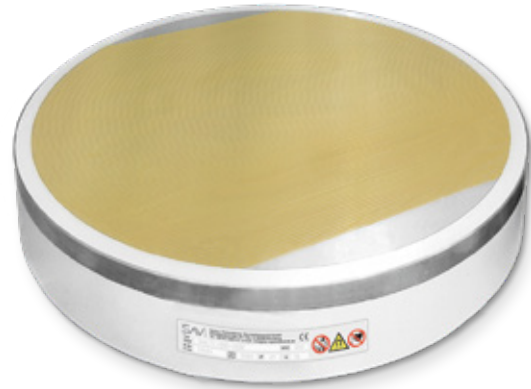
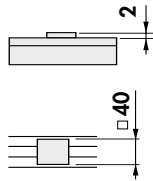
**APPLICATION**

For grinding thin, flat workpieces.

- Grinding thin plates, wide rings with low height and min. contact widths of 40 mm

- For workpieces up to: min. thickness = 2 mm

- For flat workpieces: min. length = 40 mm



**RATED HOLDING FORCE**

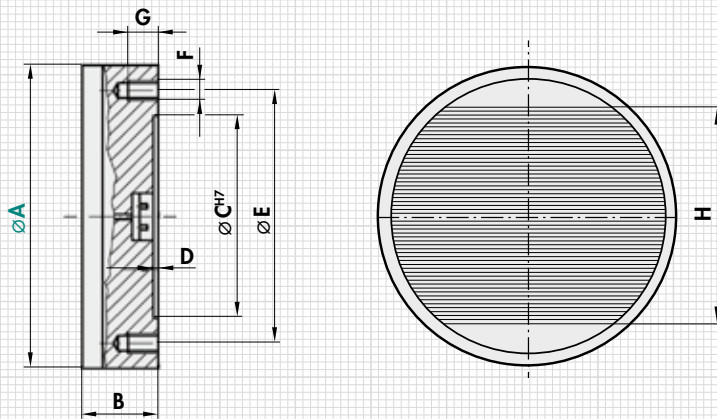
100 N/cm<sup>2</sup>,  
controllable with control unit using holding force coding switch

**RATED VOLTAGE, RECOMMENDED**

110 V DC

**SCOPE OF DELIVERY**

- Larger round magnets are provided with threads for transport
- Standard electrical connection centrally on the rear side using terminals
- Control and manual operation not in the scope of delivery



A	B <sub>-1</sub> <sup>0</sup>	C	D	E	F	G	H	Power	Weight	Type
300	100	160	4	190	M12 (4x)	16	213	110	55.0	E 4
400	100	210	4	250	M12 (6x)	16	301	180	98.0	E 4
500	100	280	4	320	M12 (6x)	16	401	230	153.0	E 4
600	100	350	4	390	M12 (6x)	18	481	410	220.0	E 4
700	100	400	4	450	M12 (6x)	18	581	430	300.0	E 4
800	100	450	4	500	M16 (6x)	18	681	540	392.0	E 4

**RECOMMENDED CONTROL AND CONTROL UNIT**

Type	Control	Hand remote unit
E 4	SAV 876.10-S-O-110/6/230	SAV 876.02-SE3

Installation control units as per page 34.

**ORDERING EXAMPLE**

Designation SAV no. - A - rated voltage  
Electro magnetic circular chuck SAV 244.43 - 300 - 110 V