

Permanent Magnetic Chuck

SAV 243.07

With fine transverse pole pitch $P = 1.9 \text{ mm}$

Use:

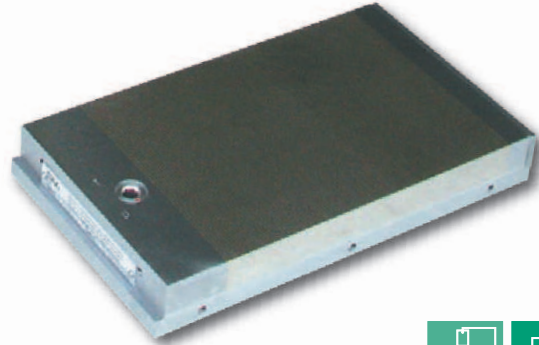
Very suitable for thin parts.

Features:

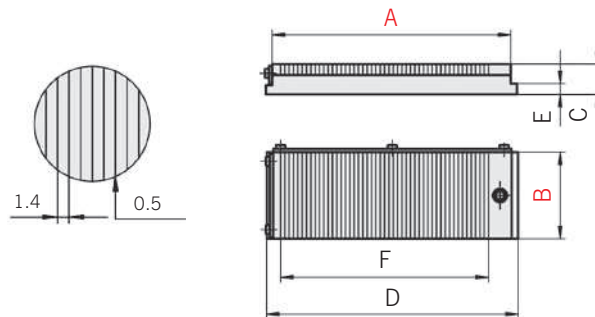
Extremely low height. ON-OFF switching from above.

Laminations 0.5 mm brass / 1.4 mm steel.
Flushing channel(s) available at a surcharge.
Suitable for adaption on zero reference system on request (see chapter 8).

Nominal holding force: 80 N/cm²
Magnetic field height: 6 mm
Pole plate wearing limit: 6 mm



Dimensions in mm						Weight in kg
A	B	C _{+0.5} ₋₂	D	E	F	
175	100	32.0	185	12.0	122	4.5
255	130	32.0	265	11.5	200	8.5
150	150	34.5	160	11.5	96	6.0
250	150	34.5	260	11.5	194	10.0
300	150	34.5	310	11.5	246	12.5
350	150	34.5	360	11.5	295	14.0
450	150	34.5	460	11.5	396	18.0
400	200	35.0	410	11.5	344	23.0



Ordering example: Permanent Magnetic Chuck SAV 243.07 - 450 x 150
Ordering key: Name SAV - No. - A x B

Permanent Magnetic Chuck

SAV 243.09

With pole pitch $P = 1.9 \text{ mm}$, extremely low field height for spark erosion (EDM)

Use:

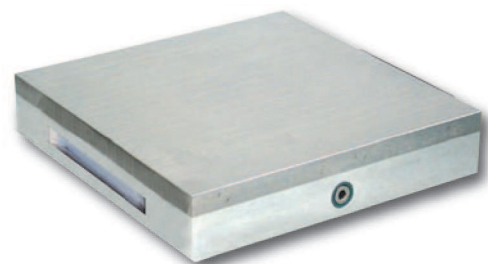
For small and medium size workpieces.
Especially suitable for thin parts.

Features:

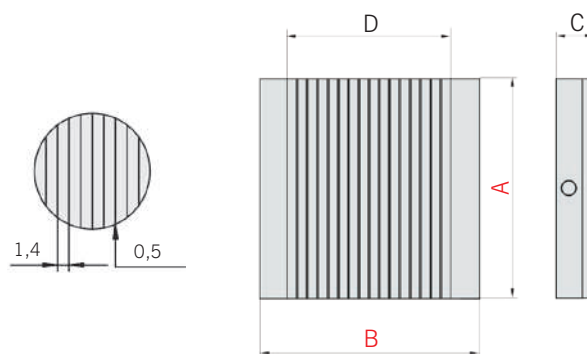
Aluminium body with St 37 / V4A pole plate.
Threaded holes for side stops and angle stops possible.

Magnetic field height: 4 mm
Pole plate wearing limit: 3 mm
Nominal holding force: 80 N/cm²
Pole pitch: 1.9 mm

Suitable for adaption on zero reference system on request (see chapter 8).



Dimensions in mm				Switching sections	Weight in kg
A	B	C _{+0.5} ₋₂	D		
200	200	46	-	1	15.0
240	240	46	204.5	2	19.0
280	280	50	204.5	2	25.0
320	320	58	246.0	2	32.0
320	160	58	246.0	1	16.0
480	280	62	204.5	4	40.0
650	340	65	246.0	4	65.0



Ordering example: Permanent Magnetic Chuck SAV 243.09 - 320 x 320
Ordering key: Name SAV - No. - A x B