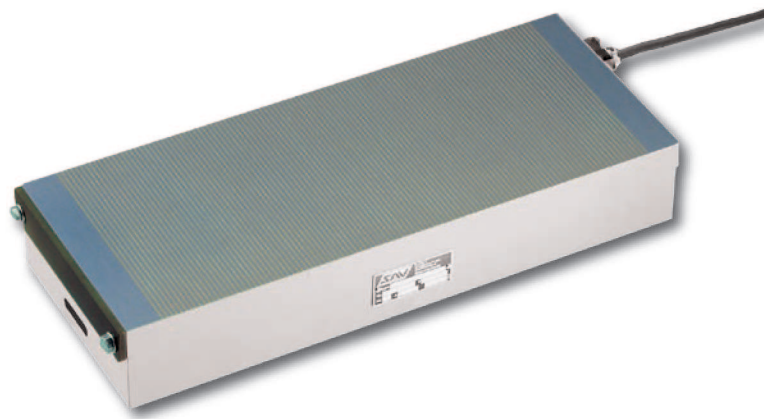


Electro-Permanent Magnetic Chuck

SAV 243.73

With fine transverse pole pitch $P = 4 \text{ mm}$

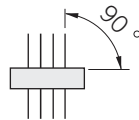
Electro-permanent magnetic system with very small pole pitch. The magnetic force is produced by permanent magnets that are magnetized and demagnetized by short electric current pulses. Especially suitable for thin parts; workpiece positioning in length direction of chuck.



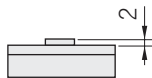
Use:

For clamping of thin and flat high precision workpieces.

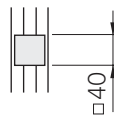
- for workpiece positioning cross to pole pitch



- for thin workpieces of min. 2 mm thick.



- for flat workpieces with min. dimensions of 40 mm x 40 mm.



Nominal holding force:

100 N/cm²,
adjustable with control unit
with encoded switch

Nominal operating voltage:

210 V DC up to size A x B = 600 x 250
360 V DC above size A x B = 600 x 250

Features:

- pole plate with very small longitudinal pole pitch of 3 mm steel and 1 mm brass
- glued lamination with additional pull anchors in length direction of chuck
- gap free construction of pole plate
- high precision due to fine grid pole plate to body connection
- switching off through demagnetizing cycle
- pole plate wearing limit 8 mm
- low magnetic field height
- heat treated tension free body
- electro-permanent system, guaranteeing safe operation during power failure
- mounting slots in both short faces
- extra enhanced systems available on request
- through holes for mounting in sizes over 1000 mm length on specification
- robust and waterproof
- sealed to IP 65
- for use with control unit type SAV 876.03-SF0-EP up to size A x B = 600 x 300
SAV 876.10 above size A x B = 600 x 300 (see chapter 04)

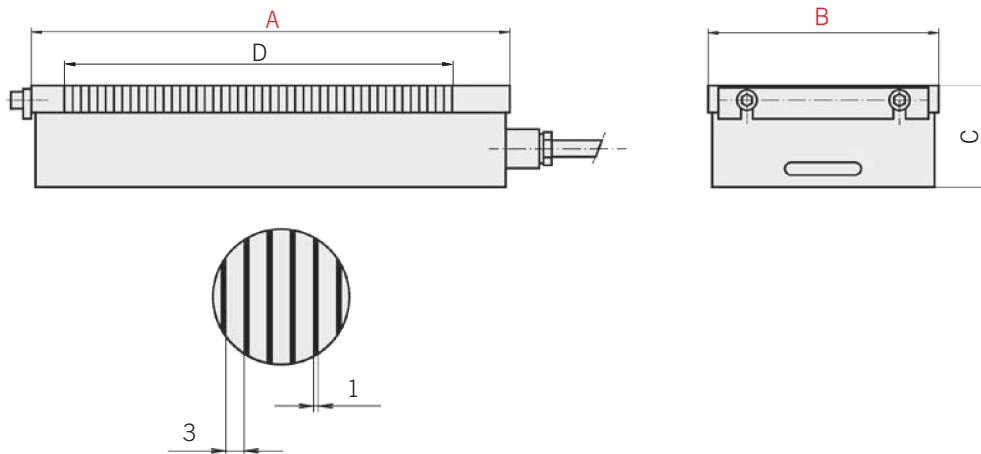
Auxiliary equipment:

- side stop rail on short and long face
- connecting cable, 3 m, on the right-hand, short face
- with industrial watertight plug-in type connector on request
- lifting bolts on larger models

Electro-Permanent Magnetic Chuck

SAV 243.73

With fine transverse pole pitch $P = 4 \text{ mm}$



Dimensions in mm				Weight in kg	Chuck voltage in V	Control unit max. current in A	Suitable control unit
A	B	C	D				
450	175	77	397	44.0	210 / 360	30 / 16	876.10 / 876.03
400	200	77	349	45.0	210 / 360	30 / 16	876.10 / 876.03
500	200	77	453	56.0	210 / 360	30 / 16	876.10 / 876.03
600	200	77	549	67.0	210 / 360	30	876.10
800	200	77	749	90.0	360	30	876.10
500	250	77	453	70.0	210 / 360	30	876.10
600	250	77	549	84.0	210 / 360	30	876.10
800	250	77	749	112.0	360	30	876.10
500	300	77	453	90.0	210 / 360	30	876.10
600	300	77	549	108.0	210 / 360	30	876.10
800	300	77	749	145.0	360	30	876.10
1000	300	77	949	180.0	360	60	876.10
600	350	77	549	126.0	360	30	876.10
800	350	77	749	168.0	360	30	876.10
1000	350	77	949	210.0	360	60	876.10
600	400	77	549	145.0	360	30	876.10
700	400	77	653	169.0	360	30	876.10
800	400	77	749	193.0	360	30	876.10
1000	400	77	949	240.0	360	60	876.10
1200	400	87	1149	289.0	360	60	876.10
800	500	77	749	241.0	360	30	876.10
1000	500	77	949	300.0	360	60	876.10
1200	500	87	1149	361.0	360	60	876.10

Other sizes and operating voltages available on request. Larger clamping surfaces can be made by flush mounting several units. Please refer to SAV 876.10 to SAV 876.03, for details regarding suitable control units, based on max. current or control voltage (see Chapter 04).

Ordering example: **Electro-Permanent Magnetic Chuck SAV 243.73 - 1200 x 500 - 360 V**
 Ordering key: Name SAV - No. - A x B - Operating voltage