

## Electro Magnetic Circular Chuck

SAV 244.41

With concentric pole arrangement

These circular electro magnets generate a strong, ring-shaped and low magnetic field.



### Use:

Mainly for grinding of disc shaped work pieces on internal and external grinders with rotary tables.

Not suitable for thin rings.

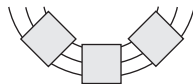
Because of the concentric pole arrangement it is also suitable for holding groups of randomly placed workpieces.

Also suitable for turning with form and position tolerances of 0.01 to 0.02 mm.

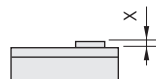
- for circular grinding
- uniform holding force distribution due to concentric pole arrangement; therefore suitable for thin and flat workpieces (e.g. saw blades)



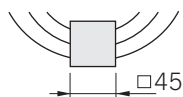
- multiple workpiece operation on segments possible



- for workpieces with min. thickness = x:  
2 mm at P = 4.5 mm  
4 mm at P = 9.0 mm  
8 mm at P = 18.0 mm



- for flat workpieces with min. dimensions 45 mm x 45 mm



### Nominal holding force:

P = 4.5 mm:	80 N/cm <sup>2</sup>
P = 9 mm:	100 N/cm <sup>2</sup>
P = 18 mm:	110 N/cm <sup>2</sup>

adjustable by control unit with encoded switch

### Nominal operating voltage:

24 V DC up to 90 W  
110 V DC all sizes

### Features:

- gap free construction of pole plate
- fine grid poleplate to body connection
- pole plate wearing limit 8 mm
- sealed to IP 65
- suitable for continuous (100%) operation
- for use with control unit type 876.10 (see chapter 04)
- available with adapter flange on request (SAV 248.90 to 248.94, see chapter 01)

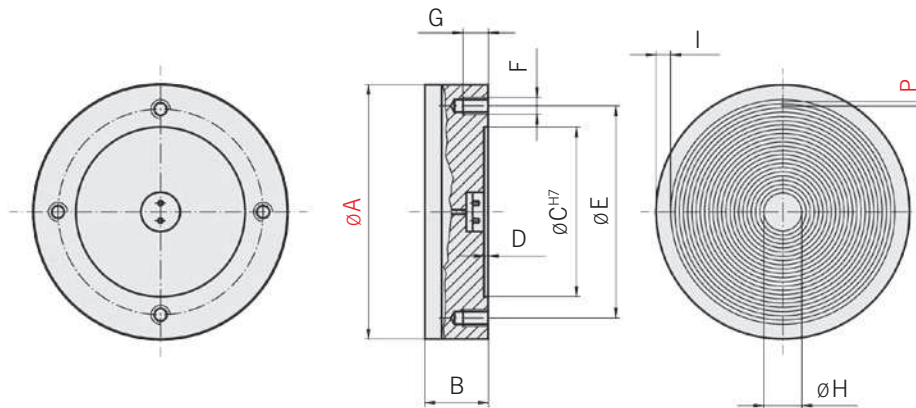
### Scope of supply:

- Lifting bolts for transportation on larger models.
- Terminals for electrical connection in middle of backside in standard execution.
- Optional with integrated slip ring body for the bigger diameters.

## Electro Magnetic Circular Chuck

**SAV 244.41**

With concentric pole arrangement



Dimensions in mm											Power in W	Weight in kg
A	B, Ø	C	D	E	F	G	H	I	P			
100	80	60	3	80	M8 (3x)	12	22	9	4.5	16	4	
150	80	90	3	120	M10 (3x)	14	30	12	4.5	30	9	
200	90	110	3	140	M10 (4x)	14	40	16	4.5	48	18	
250	90	140	3	170	M12 (4x)	16	45	16	4.5	66	29	
300	90	160	3	190	M12 (4x)	16	55	16	4.5	90	42	
400	105	210	4	250	M12 (6x)	16	46	21	9	150	92	
500	105	280	4	320	M12 (6x)	16	74	21	9	190	144	
600	105	350	4	390	M12 (6x)	18	66	21	9	264	208	
700	105	400	4	450	M12 (6x)	18	76	21	9	350	283	
800	105	450	4	500	M16 (6x)	18	129	22	9	440	369	
1000	105	550	4	620	M16 (8x)	18	131	22	9	660	577	
400	105	210	4	250	M12 (6x)	16	46	21	18	150	92	
500	105	280	4	320	M12 (6x)	16	74	21	18	190	144	
600	105	350	4	390	M12 (6x)	18	66	21	18	264	208	
700	105	400	4	450	M12 (6x)	18	76	21	18	350	283	
800	105	450	4	500	M16 (6x)	18	138	22	18	440	369	
1000	105	550	4	620	M16 (8x)	18	140	22	18	660	577	
1200	125	Rear detail as required				22	131	23	9	960	989	
1400	125	Rear detail as required				22	136	26	9	1100	1346	
1500	125	Rear detail as required				22	101	26	9	1440	1545	
1600	125	Rear detail as required				22	129	26	9	1630	1760	
1200	125	Rear detail as required				22	140	23	18	960	989	
1400	125	Rear detail as required				22	136	26	18	1100	1346	
1500	125	Rear detail as required				22	128	26	18	1440	1545	
1600	125	Rear detail as required				22	138	26	18	1630	1760	

Other sizes available on request. Please refer to SAV 876.03 to SAV 876.10 (see chapter 04), for details regarding suitable control units, based on the power rating.

Ordering example: **Electro Magnetic Circular Chuck SAV 244.41 - 800 x 18 - 110 V**  
 Ordering key: Name SAV - No. - A x P - Operating voltage