

SAV 434.07

PRECISION PUNCH GRINDER

For grinding dies and profiling grinding wheels



APPLICATION

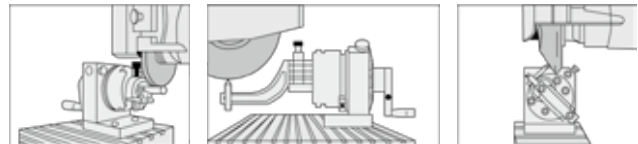
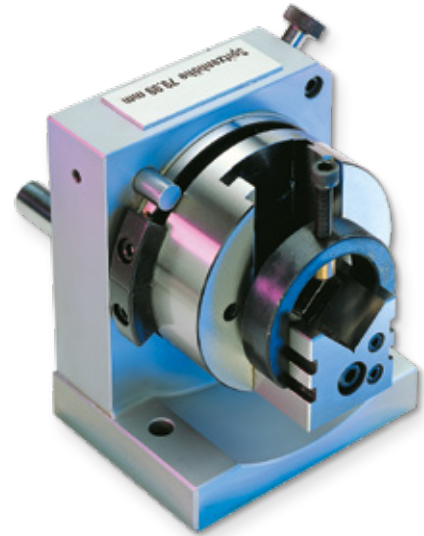
For grinding dies with maximum precision and for profiling grinding wheels.

DESIGN

Manufactured completely from steel with maximum precision. All parts hardened and polished. Radius dressing arm for grinding wheels up to 200 mm diameter is delivered as a standard.

HANDLING

Adjustable stops and a stop pin allow any desired angle to be set. The stops are clamped to a conical strip to achieve the best possible workholding force. Adjusting screw for uncomplicated adjustment of the prism support. Device for setting any desired angle with the adjustable stop, the stop pin and the gauge blocks using the sinusoidal principle. The prism support is guided in a T-slot in the middle of the indexing plate. A single screw clamps the prism support in any position without deviation. Indexing pin and index plate with 24 notches, 15° division and an accuracy of ±30 arc sec Hand crank for easy turning of the index plate. 30 mm through hole for long dies. The L-shaped design of the base unit gives the device additional strength and rigidity.

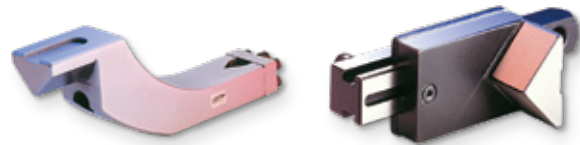


ACCESSORIES

Angled dressing tool: SAV 434.07 - 01

Dressing diamond: SAV 401.01 - 10 - 92

Both subject to a surcharge.

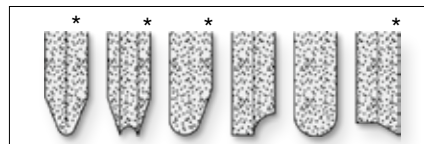


Radius dressing arm for grinding wheels up to 200 mm diameter

Angled dressing tool SAV 434.07 - 01 included in delivery



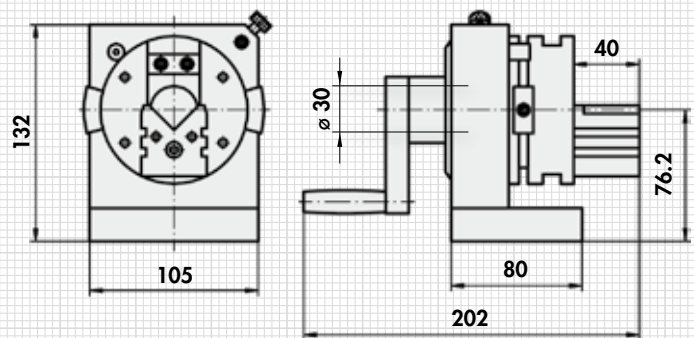
Examples of manufactured dies



Examples for profiled grinding wheels

* Requires angled dressing tool

Width	in mm	105
Total height	in mm	132
Tip height	in mm	76.2
Depth	in mm	202
Length of the prism block	in mm	40
Chucking area prism ø	in mm	4 - 25
Max. concave dressing radius	in mm	100
Max. concave dressing radius	in mm	50
Max. dressing length	in mm	10
Taper for diamond	in mm	10
Weight	in kg	5



ORDERING EXAMPLE

Designation	SAV no.
Precision punch grinder	SAV 434.07