



Electromagnet systems with very narrow pole pitch. Especially suitable for thin parts. Main workpiece axis at right angle to the magnet length.

**DESIGN**

- Pole plate with particularly narrow, continuous longitudinal pole pitch, 3 mm steel and 1 mm brass
- Pole divisions bonded and additionally bolted together solidly with tie rods
- Pole plates bolted in a narrow grid
- 8 mm wear layer on the pole plate
- Low magnetic field height of 4 mm
- Chucking slots on both face sides
- Length over 1000 mm with through holes for fastening upon agreement
- Robust and water-tight
- Protection rating IP 65
- 100 % duty cycle
- Suitable for connecting to the SAV 876.10 control unit

RATED HOLDING FORCE

100 N/cm², controllable with control unit using holding force coding switch

RATED VOLTAGE, RECOMMENDED

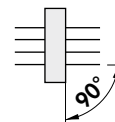
24 V DC up to and including 106 W

110 V DC for all other sizes

APPLICATION

For chucking thin, plate-shape workpieces with shape and position tolerances of 0.01 to 0.02 mm.

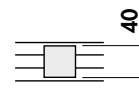
- For main workpiece axis perpendicular to the pole pitch



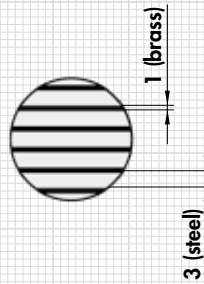
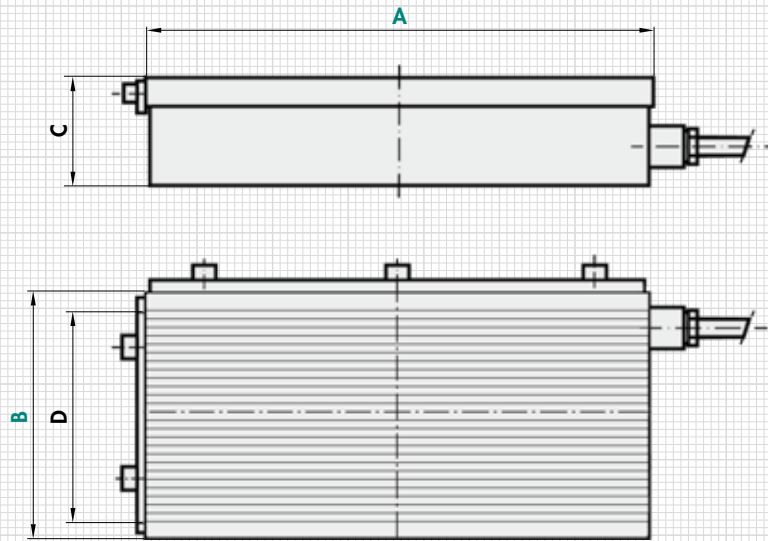
- For thin workpieces up to: min. thickness = 2 mm



- For flat workpieces: min. width = 40 mm

**SCOPE OF DELIVERY**

- Stop bar on one short and one long side
- 3 m connecting cable on right short side, rear
- Larger magnetic chucks are provided with lifting lugs for transport
- Control and hand remote unit not in the scope of delivery
- Clamps



mm				W	kg	Type
A	B	C ₁ ⁰	D	Power	Weight	Control
200	100	87	61	30	13.0	E 1
300	100	87	61	45	20.0	E 1
300	150	87	101	65	29.0	E 1
400	150	87	101	90	39.0	E 1
450	175	87	125	106	51.0	E 1
400	200	87	149	118	52.0	E 4
500	200	87	149	140	64.0	E 4
600	200	87	149	162	77.0	E 4
800	200	87	149	206	103.0	E 4
500	250	87	197	150	81.0	E 4
600	250	87	197	180	97.0	E 4
800	250	87	197	233	129.0	E 4
500	300	87	257	175	97.0	E 4
600	300	87	257	206	116.0	E 4
800	300	87	257	268	155.0	E 4
1000	300	87	257	330	193.0	E 4

mm				W	kg	Type
A	B	C ₁ ⁰	D	Power	Weight	Control
600	350	87	301	235	135.0	E 4
800	350	87	301	305	180.0	E 4
1000	350	87	301	375	225.0	E 4
600	400	87	345	265	155.0	E 4
700	400	87	345	305	180.0	E 4
800	400	87	345	345	206.0	E 4
1000	400	87	345	425	258.0	E 4
1200	400	87	345	510	310.0	E 4
800	500	87	453	420	257.0	E 4
1000	500	87	453	510	322.0	E 4
1200	500	87	453	612	386.0	E 4

RECOMMENDED CONTROL AND CONTROL UNIT

Type	Control	Hand remote unit
E 1	SAV 876.10-S-T-24/7/230	SAV 876.02-SE3
E 4	SAV 876.10-S-O-110/6/230	SAV 876.02-SE3

Other sizes and rated voltages on request. Larger chucking areas can be implemented by joining several blocks without gaps.

Installation control units or for combinations as per page 34.

ORDERING EXAMPLE

Designation SAV no. - A x B - rated voltage
 Electro magnetic chuck SAV 243.41 - 1200 x 500 - 110 V